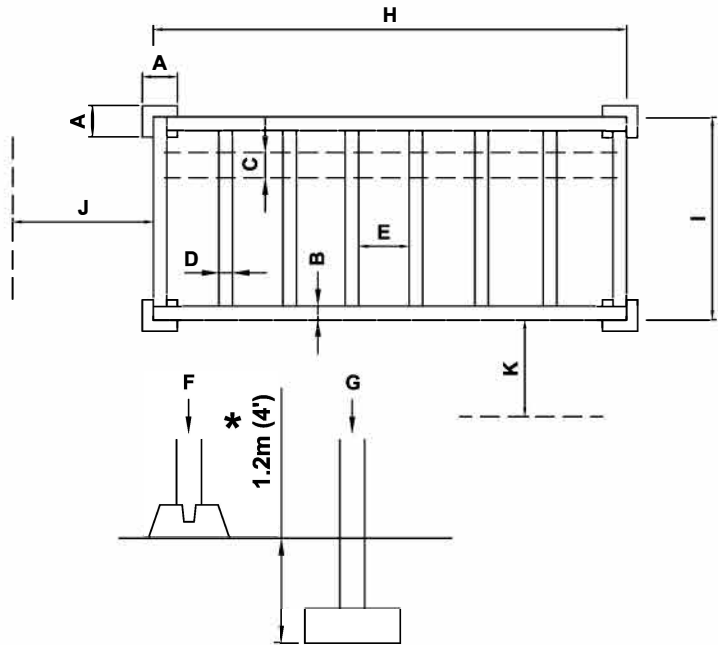


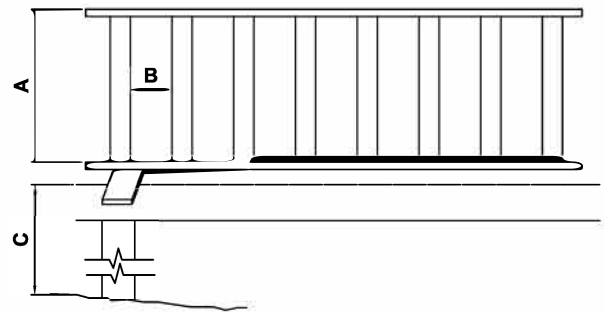
DECK CONSTRUCTION SPECIFICATIONS

A - POST SIZE _____
B - TRIMMER SIZE _____
C - DECKING SIZE _____
D - JOIST SIZE _____
E - JOIST SPACING _____
F - FLOATING DECK YES _____ NO _____
G - ATTACHED DECK YES _____ NO _____
H - DECK LENGTH _____
I - DECK WIDTH _____
J - DISTANCE TO PROPERTY BOUNDARY LEFT _____ RIGHT _____
K - DISTANCE TO PROPERTY BOUNDARY FRONT _____ REAR _____

PROPERTY LOCATION
OWNER
FILE #
INSPECTOR



A - GUARD HEIGHT _____
B - GUARD SPACING _____
C - HEIGHT OF DECK FROM GROUND _____



IF "C" IS 2' - 6' (600mm - 1800mm) "A" MUST BE A MINIMUM OF 36" (900mm)
 IF "C" IS 6' (1800 OR GREATER) "A" MUST BE MINIMUM OF 42" (1.07m)

APPLICANT'S SIGNATURE _____